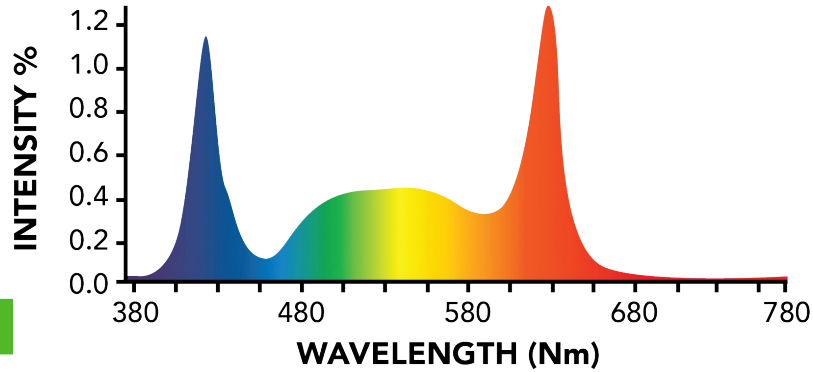


# TSL-800 LED 1:1 HPS Replacement

Introducing the TSL-800 Grower's Choice direct 1:1 replacement for traditional 1000w HPS fixtures. Featuring our new patented passive thermal management design upping cooling capabilities by up to 40%. Utilizing our patented diode deployment allows us to achieve the desired angles of light distribution and an upgraded PAR output resulting in up to a 30% increase using our new GC 3KF bloom spectrum. Compatible with the Growers Choice Master Controller or CPS (Central Power Solution) this revolutionary new LED fixture can be operated by almost any level grower and is scalable for all cultivations, with the greatest yield potential in the industry.

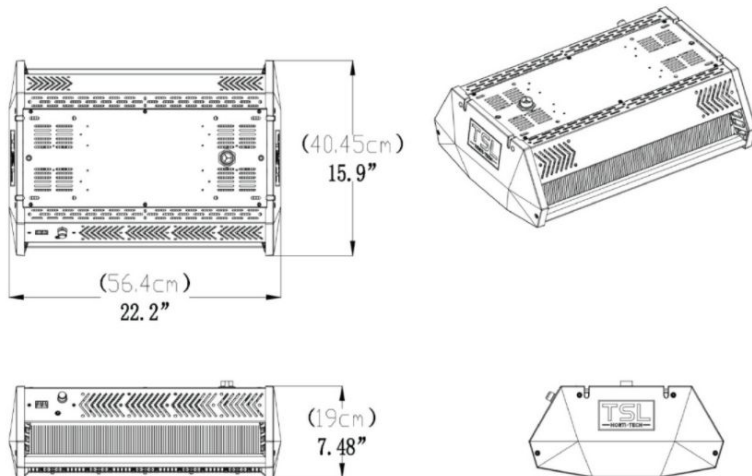


## Ordering Information

Series	Model	Spectrum
TSL	800 800	3KF 3K-FULLBLOOMPHASE

AC PLUG TYPE	Ac Power Cord	MOUNTING HARDWARE
N5P NEMA 5-15P	01 1FT	Total 9ft
N6P NEMA 6-15P	08 8FT	Total 16ft
L7P NEMA L7-15P	15 15FT	Total 23ft
PTP Pigtailes		R Rope Ratchets
		SO Special Order

N5P NEMA 5-15P  
 N6P NEMA 6-15P  
 L7P NEMA L7-15P  
 PTP Pigtailes



Grower's Choice TSL-800w	
Light Source	LED
Spectrum	GC-3KF Bloom Phase
PPF (UMOL/J)	2400
Input Power	800w
PPE (umo/s)	3.0
Fixture Dimension (L*W*H)	22.2"L x 15.9"W x 7.48"H / 46.4cm x 40.45cm x 19cm
Weight	14.5 kg/ 32lbs
Power Driver	Isolated Driver
Driver Efficiency	~90% (220 Vac Input)
Dimming	0-10V & Step Dimming
Dimming Range	10% - 100%
Light Distribution	120°
Maximum Ambient Temperature	104°F / 40°C
Power Factor	>0.9
Standards	UL8800, UL1598, EN60598-2-1
Certifications	UL, CE, DLC
Lifetime	O90>36,000 hrs
Warranty	5 Years Standard Warranty

NOMINAL AMPERAGE BY AC INPUT VOLTAGE @800W				
Voltage	208V	240V	277V	480V
TSL-800	4.0A	3.4A	2.9A	1.7A